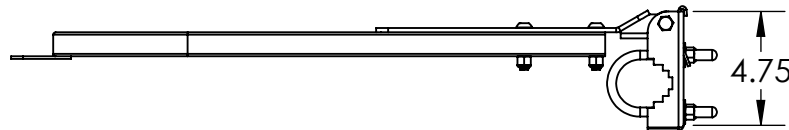
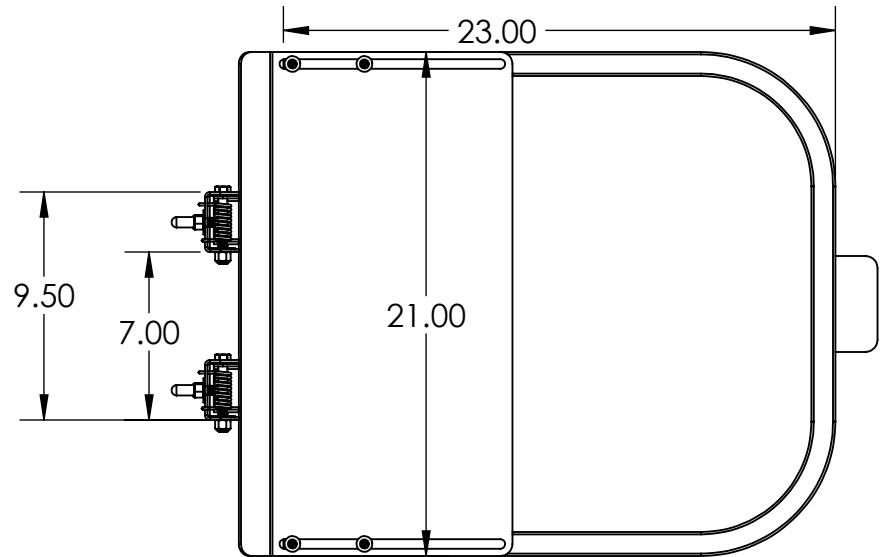


ITEM NO.	PART NUMBER	DESCRIPTION	QTY.
1	100123	WASHER-FLAT 3/8" SS	4
2	150060	SCG SPRING	2
3	150090	3/8" VINYL CAP	4
4	400627	SCG BODY WELD	1
5	400636	SCG ARM WELD	1
6	150143	U-BOLT KIT 2" X 3/8"	2
7	100121	NUT-NYLOCK 3/8-16	6
8	420050	SCG HINGE CLAMP	2
9	100120	HHCS 3/8-16 X 3"	2
10	100122	BH SHCS 3/8-16 X 1.5	4



MIN OPENING ~23"
MAX OPENING ~30"

Safety Rail Company LLC.
4244 Shoreline Dr.
P.O. Box 427
Spring Park, MN 55384

Toll Free: 888-434-2720
Tel: 952-471-0950
Fax: 888-471-4931
www.safetyrailcompany.com
info@safetyrailcompany.com

TITLE:
SELF CLOSING GATE 23-29
SS

SIZE A	DWG. NO. 400370	REV A
SCALE: 1:8	WEIGHT:	SHEET 1 OF 1