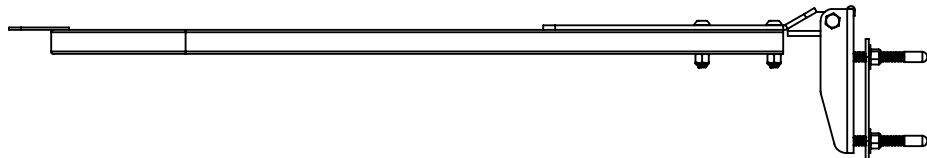
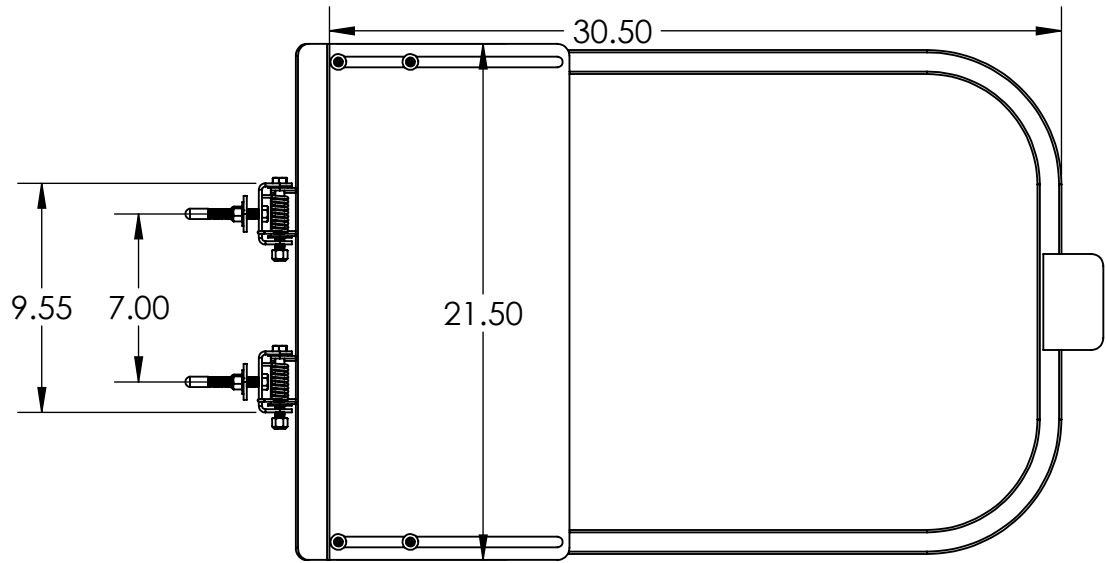


ITEM NO.	PART NUMBER	DESCRIPTION	QTY.
1	100123	WASHER-FLAT 3/8" SS	8
2	150060	SCG SPRING	2
3	150090	3/8" VINYL CAP	4
4	400627	SCG BODY WELD SS	1
5	400637	SCG ARM WELD 30-36 SS	1
6	100121	NUT-NYLOCK 3/8-16 SS	10
7	100120	HHCS 3/8-16 X 3" SS	2
8	100122	BH SHCS 3/8-16 X 1.75 SS	4
9	420065	SCG FF HINGE CLAMP SS	2
10	420064	SCG FF CLAMP PLATE SS	2
11	100127	HHCS 3/8-16 X 3 FULLTHD SS	4



MIN OPENING ~33"  
MAX OPENING ~39"

**Safety Rail Company LLC.**  
4244 Shoreline Dr.  
P.O. Box 427  
Spring Park, MN 55384

Toll Free: 888-434-2720  
Tel: 952-471-0950  
Fax: 888-471-4931  
www.safetyrailcompany.com  
info@safetyrailcompany.com

TITLE:  
SELF CLOSING GATE FF 33-39"  
SS

SIZE <b>A</b>	DWG. NO. <b>400375</b>	REV <b>A</b>
SCALE: 1:8	WEIGHT:	SHEET 1 OF 1